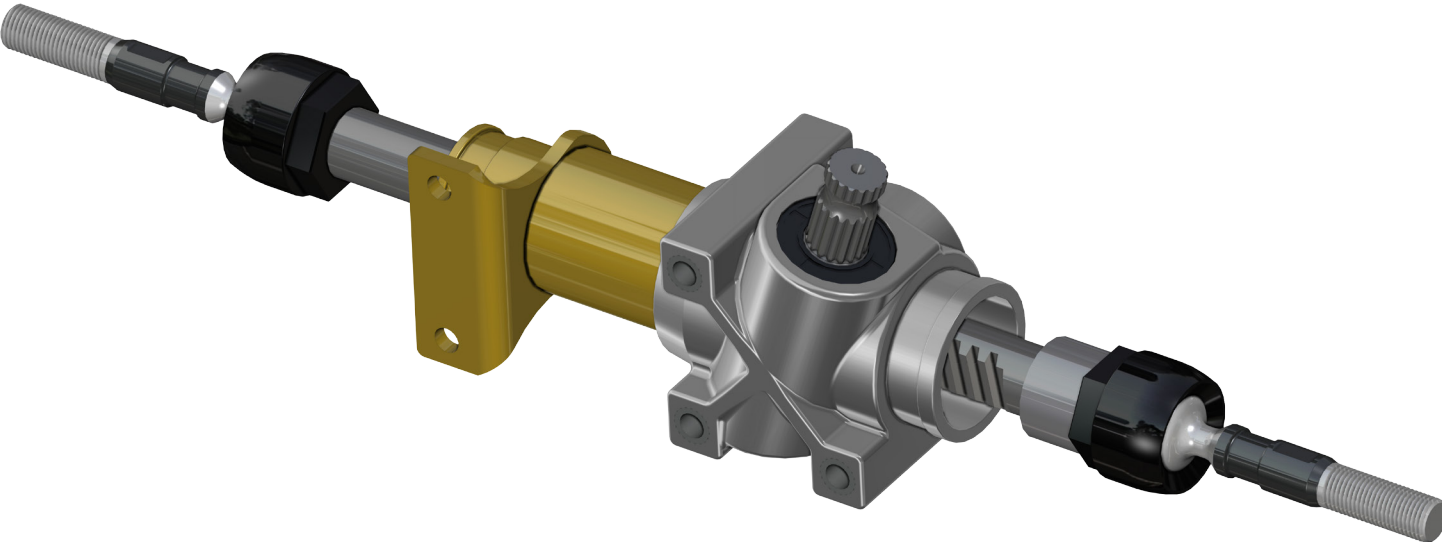
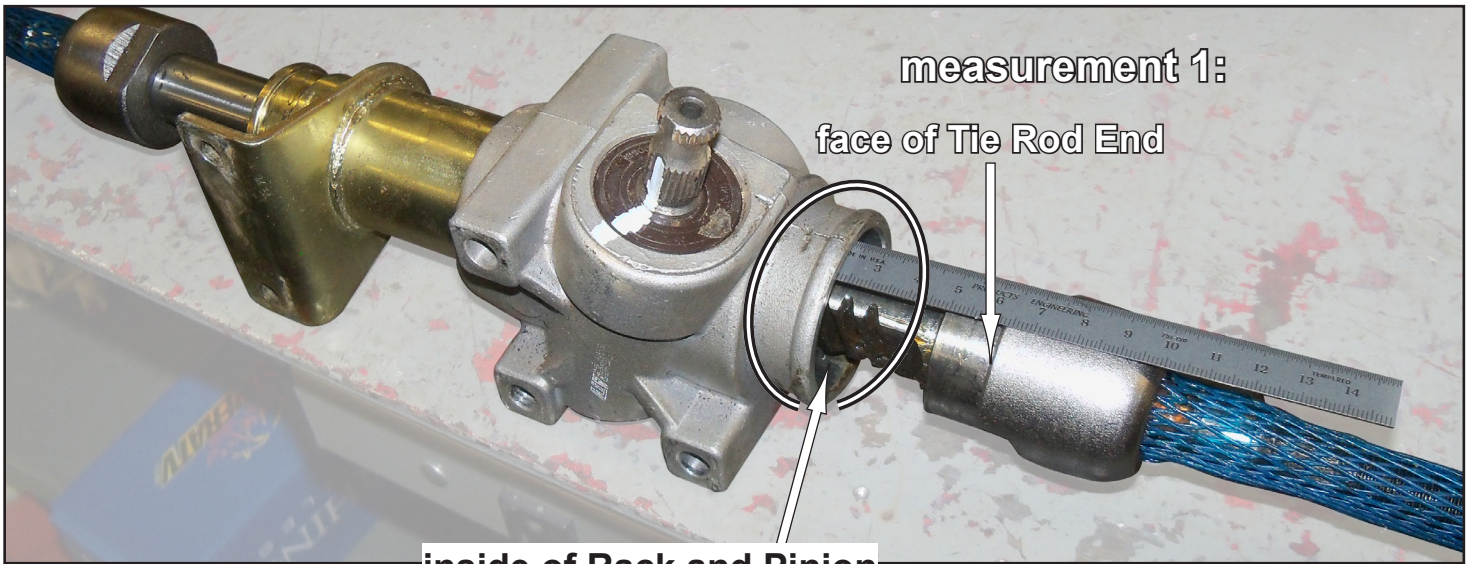
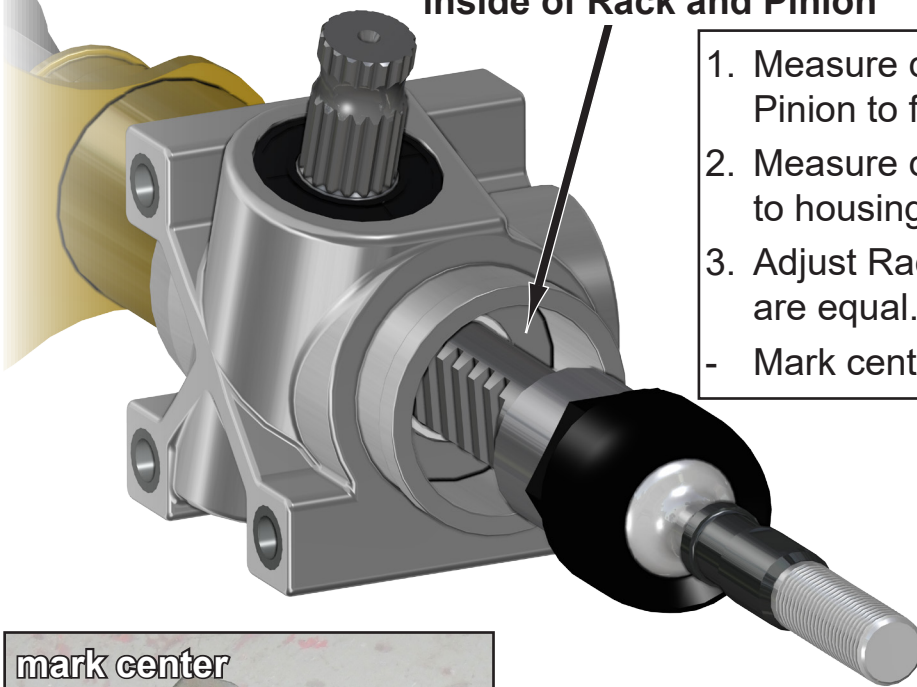


Verify, and adjust if necessary, centering of Rack and Pinion before installing.

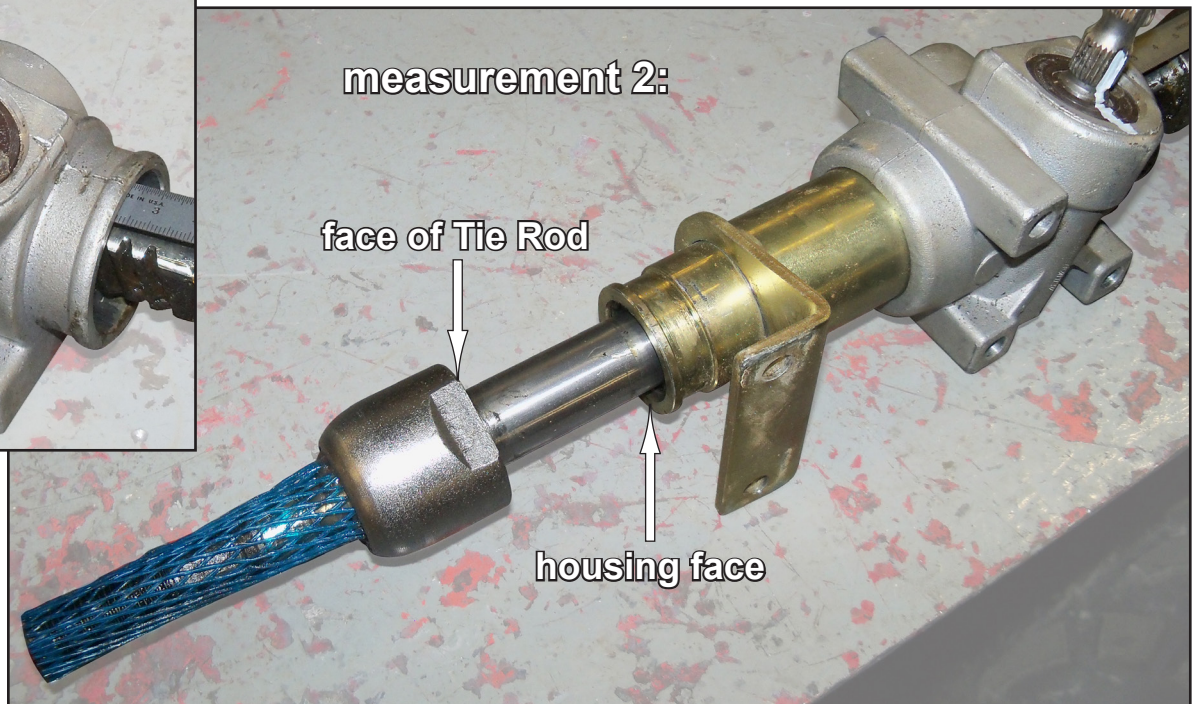


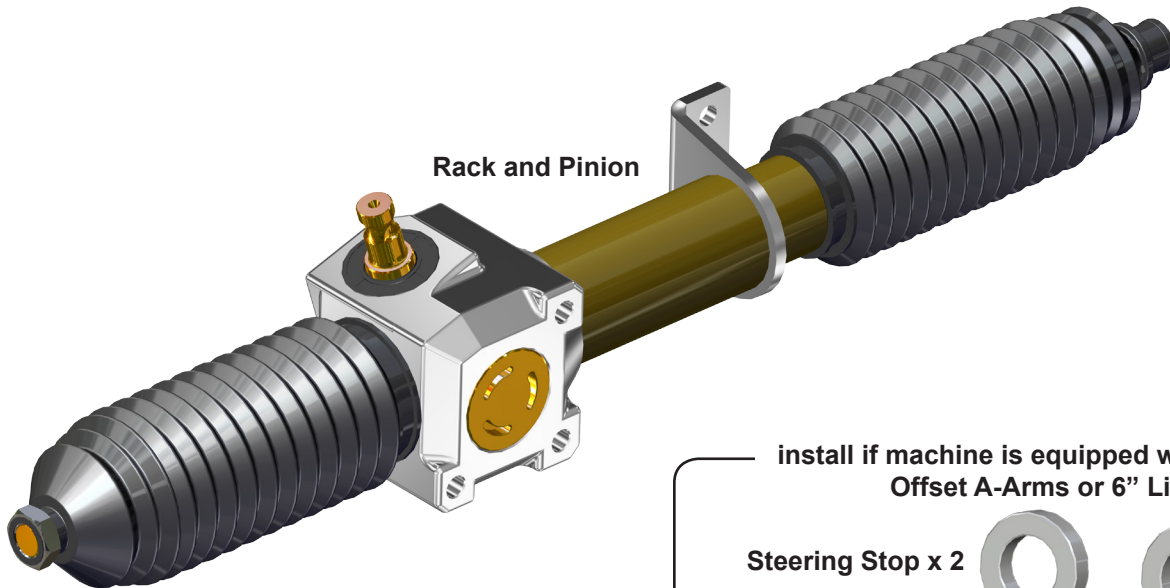


inside of Rack and Pinion



1. Measure distance from inside of Rack and Pinion to face of Tie Rod End.
 2. Measure distance from face of Tie Rod End to housing face.
 3. Adjust Rack and Pinion until measurements are equal.
- Mark center.





install if machine is equipped with SuperATV Offset A-Arms or 6" Lift Kit

Steering Stop x 2

Wire Tie x 4



Need help with your installation?

✉ sales@superatv.com 💻 www.superatv.com

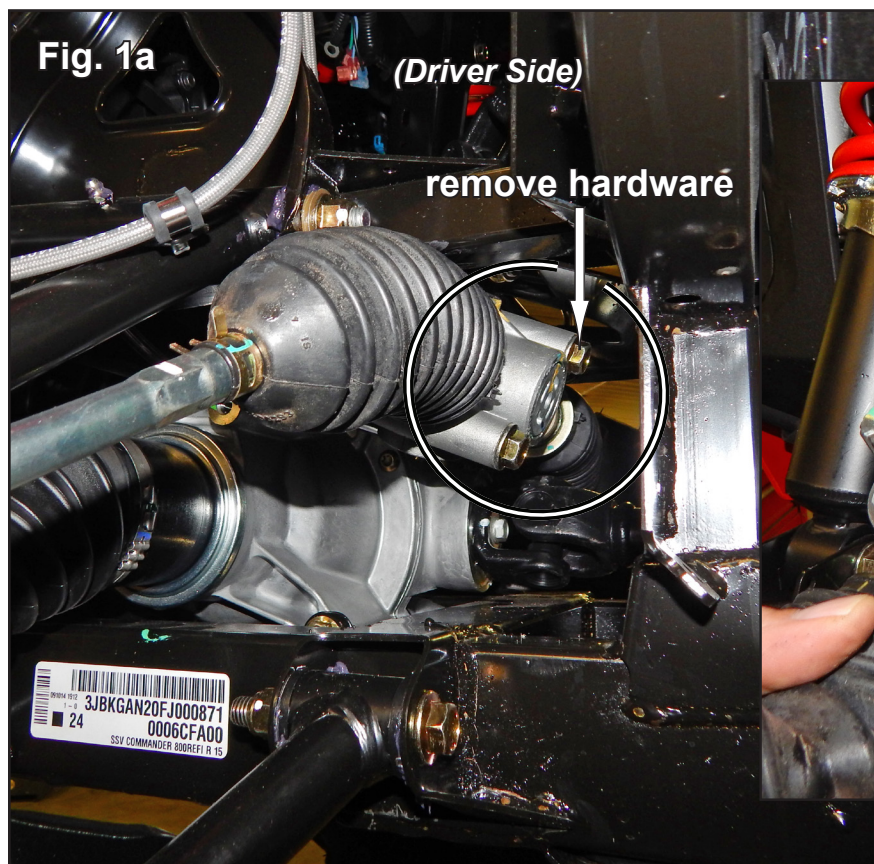
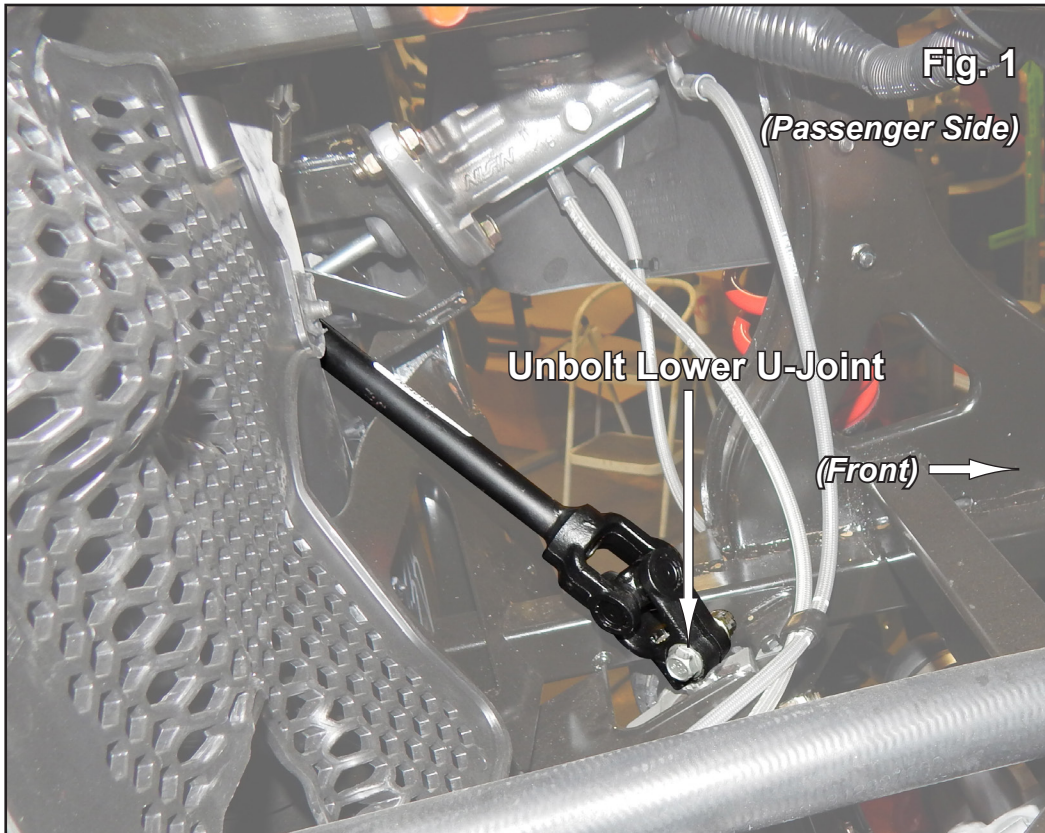
☎ 1-855-743-3427 🕒 8:00am - 8:00pm EST M-Th
 8:00am - 7:00pm EST Friday
 9:00am - 2:00pm EST Saturday

Read instructions and view illustrations before beginning.

Thank You
 For Choosing
SUPERATV.COM[®]

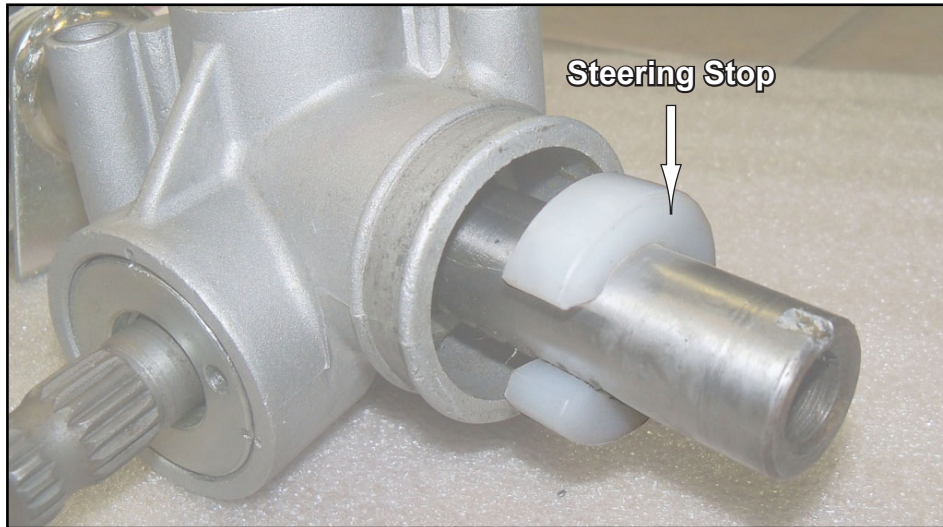
Removal: Keep all hardware and components removed from machine.

1. Raise front of machine off ground, secure with jack stands and remove Wheels.
2. Remove Tie Rods and disconnect Steering Shaft from Rack and Pinion. See Fig. 1.
3. Remove Rack and Pinion. See Fig. 1a.

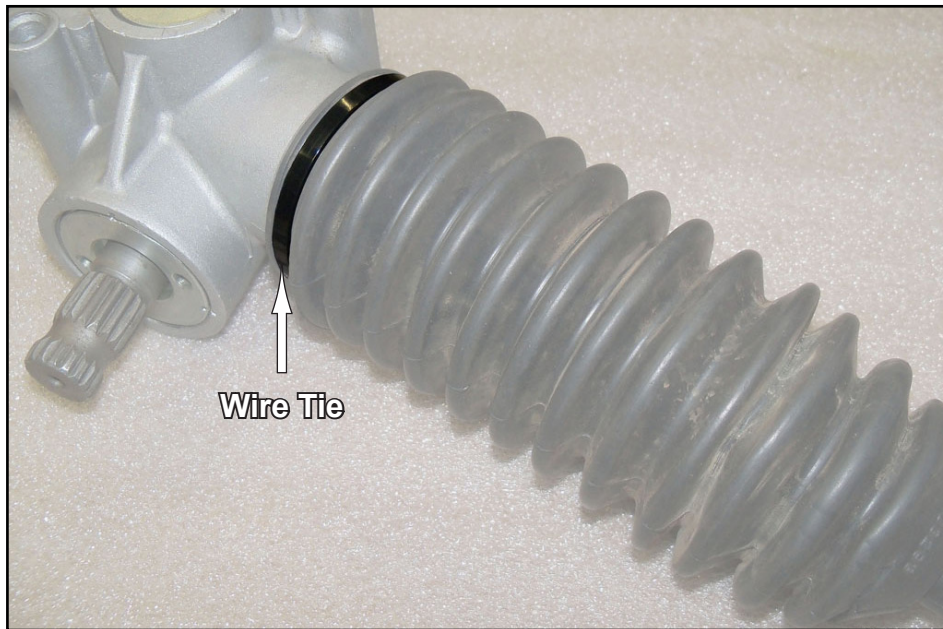


Steering Stops Installation:

- Unclamp and slide Boot away from Rack and Pinion.
- Install Steering Stop onto Shaft.



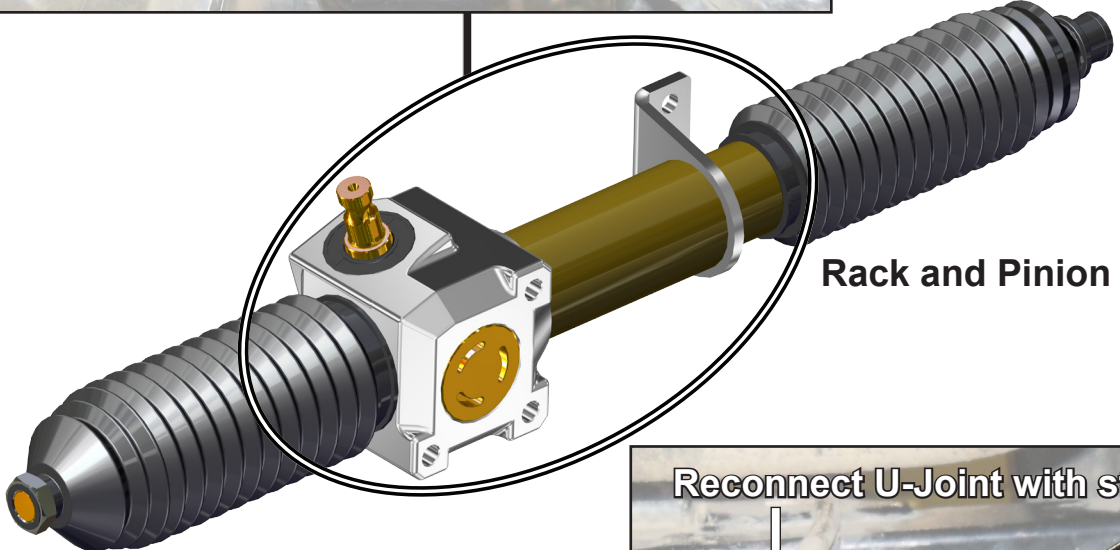
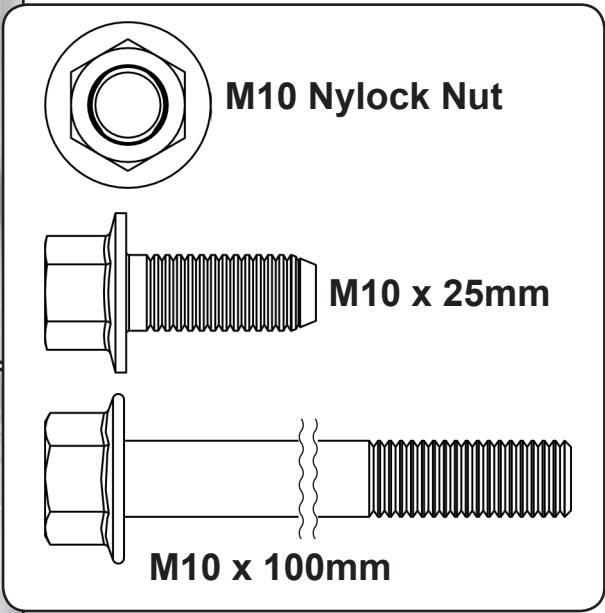
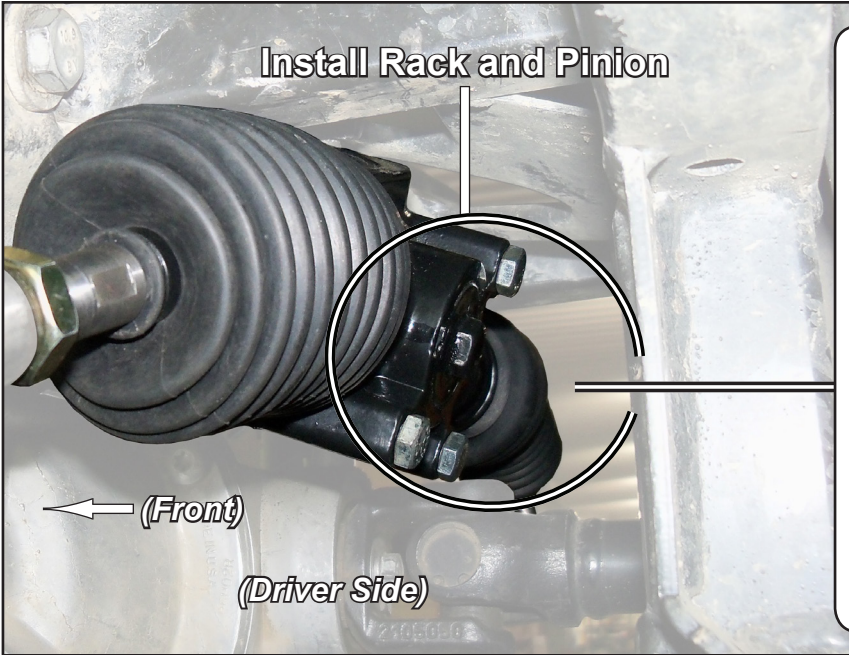
- Resecure Boot with Wire Tie.



- Repeat steps for opposite Shaft.

Rack and Pinion Installation: Do not tighten hardware completely unless noted.

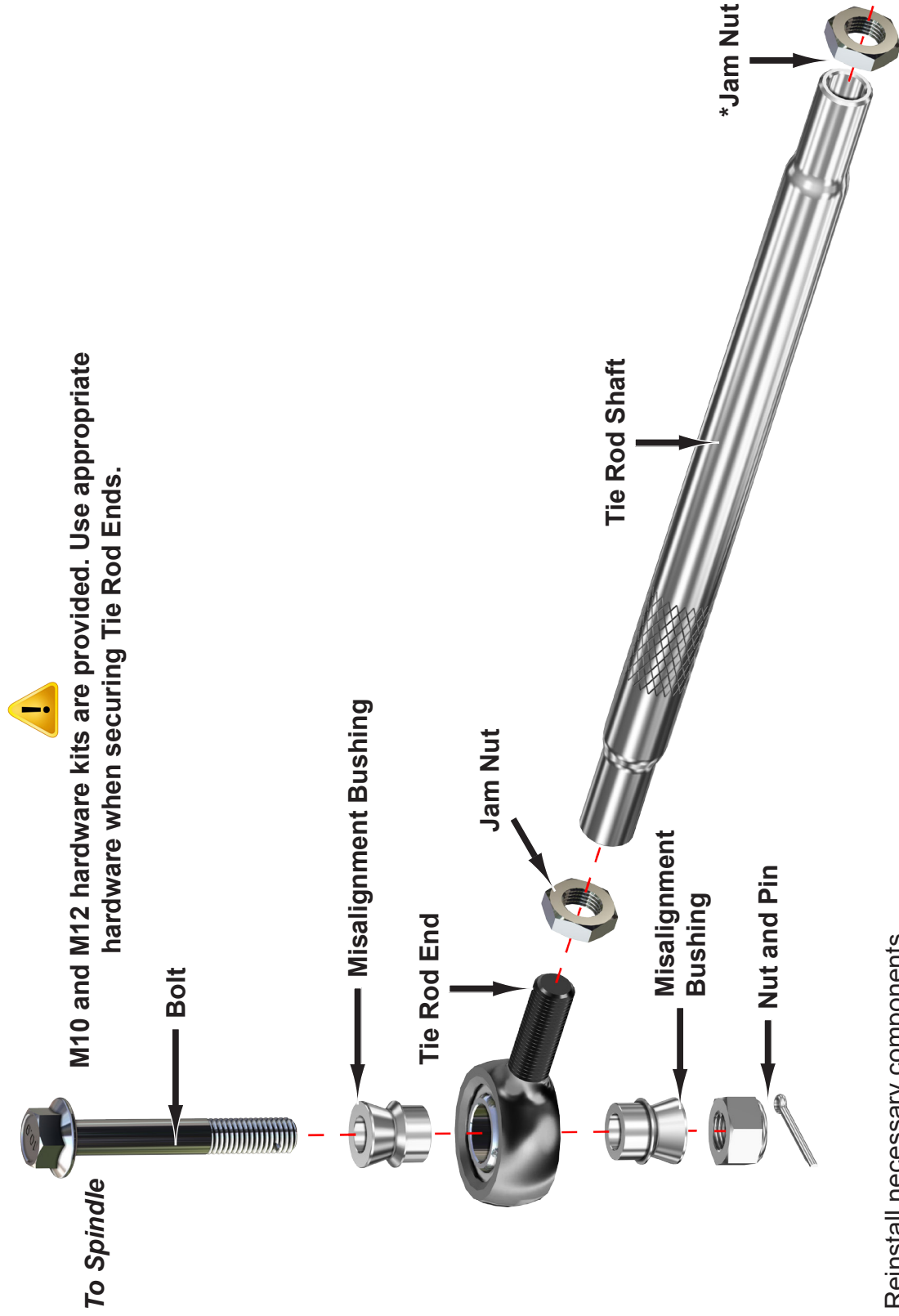
- Install Rack and Pinion to machine with hardware shown.
- Reinstall Steering Shaft to Rack and Pinion with stock hardware.
- Tighten all hardware completely.
- Proceed to "Tie Rod Installation".



Tie Rod Installation:

See following page for **Jam Nut** installation if machine has stock A-Arms.

- Install Tie Rod Shafts to Ball and Sockets on Rack and Pinion.
- Install Tie Rod Ends to Tie Rod Shafts.
- Secure Tie Rod Ends to Spindles with hardware shown.



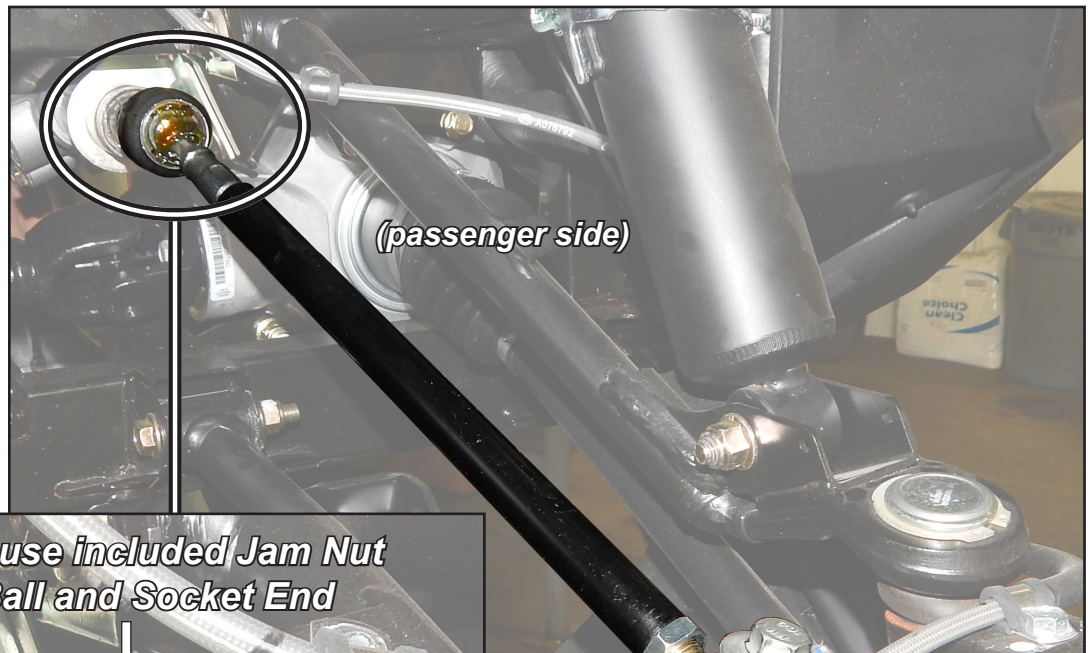
- Reinstall necessary components.
- Before initial ride, set toe-in of vehicle.
- After initial ride check to see that hardware remained tight.

To Rack and Pinion

*machines with stock A-Arms see following page

For machines with stock A-Arms

(Boot shown off Tie Rod for clarity only)



Thread Tie Rod Shaft onto Ball and Socket completely.

Liability Statement

SuperATV's® products are designed to best fit user's ATV/UTV under stock conditions. Adding, modifying, or fabricating any factory or aftermarket parts will void any warranty provided by SuperATV® and is not recommended. SuperATV's® products could interfere with other aftermarket accessories. If user has aftermarket products on machine, contact SuperATV® to verify that they will work together.

Although SuperATV® has thousands of satisfied customers, user should be aware that installing lift kits, long travel, or suspension kits, tires, etc. will change the ride of machine and may increase maintenance and part wear. Operating any off-road machine while, or after, consuming alcohol and/or drugs increases risk of bodily harm or death. No warranty or representation is made as to this product's ability to protect user from severe injury or death. SuperATV® urges operators and occupants to wear a helmet and appropriate riding gear at all times.

By purchasing and installing SuperATV® products, user agrees that should damages occur, SuperATV® will not be held responsible for loss of time, use, labor fees, replacement parts, or freight charges. SuperATV®, nor any 3rd party, will not be held responsible for any direct, indirect, incidental, special, or consequential damages that result from any product purchased from SuperATV®. The total liability of seller to user for all damages, losses, and causes of action, if any, shall not exceed the total purchase price paid for the product that gave rise to the claim.

SuperATV® will warranty only parts provided by SuperATV®. Any damage or problems with OEM housings, bearings, seals, or other manufacturers' products will not be covered by SuperATV®. SuperATV® parts and products are not warranted if item was not installed properly, misused, or modified.

Installing, adding, modifying, or fabricating any factory or aftermarket product to your ATV/UTV may violate certain local, state, and federal laws. Be advised that laws vary depending on town, city, county, state, etc. Use of certain products on public streets, roads, or highways may be in violation law. The Buyer is solely and exclusively legally and personally responsible for any violation of the law by the installation or use of the product. You must abide by all local, state, and federal laws, including but not limited to vehicle safety, traffic laws, and ordinances. It is your responsibility to know the laws and how they apply to you.

The Buyer is responsible to fully understand the capability and limitations of his/her vehicle according to manufacturer specifications, warnings and instructions and agrees to hold SuperATV® harmless from any damage resulting from failure to adhere to such specifications, warnings and/ or instructions. The Buyer is also responsible to obey all applicable federal, state, and local laws and ordinances when operating his/her vehicle while using this product, and the Buyer agrees to hold SuperATV® harmless from any violation thereof.